

APT SERIES

Power Transducers

APT Power Transducers measure three phases of current and voltage, and produces an industry standard analog signal proportional to the watts used. The monitor uses current transformers to measure the amperes, and the line voltage connects directly to the transducer, up to 600 VAC. The APT power transducer can be configured to accept five amp secondary current transformers or the safer ProteCT™ low voltage output sensors. Either type of current sensing will produce an accurate output signal to help you identify areas of excessive energy consumption and allow intervention to reduce demand.



Applications

Plant Energy Management

- Measure the power usage of a single piece of equipment, an area of a plant or the entire facility.

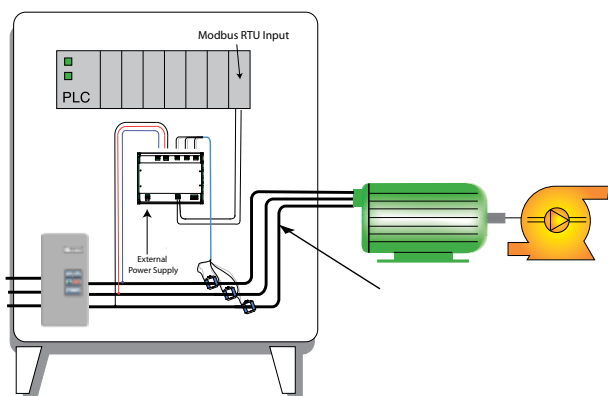
Conveyors

- Detects jams and overloads.
- Check that the belt is loaded properly by measuring the power consumption.

Pump Monitoring

- Detect dry run from clogged intake or discharge line.
- Monitor impeller cavitation and bearing wear.

Pump Jam & Suction Loss Protection



For additional Application Examples, see page 108 and www.nktechnologies.com

Features

Industry Standard Analog Outputs

- Choose 4–20 mA, 0–5 or 0–10 VDC.
- Compatible with most automation systems.

Externally Powered

- Improves reliability when used in conditions where power interruptions and voltage sags are common.

Compact DIN Mounted Housing*

- Clearly labeled terminals provide quick installation.
- Low profile reduces cabinet depth requirements.

Finger Safe Terminals

- Safe and secure connectors.

Designed to Meet UL, CUL and CE Approval

- Accepted worldwide.

*For information on the DIN Rail accessories kit, see page 107.

APT Output Values

APT Power Transducers produce full range output when the current transformer is producing its maximum signal, the primary voltage is at the range maximum and power factor is at unity. As an example, using the APT-480-5A-120-420 with 400:5 current transformers, the transducer will produce 20mA when there is 400 amps through the CT and the primary voltage is 480. If the transducer is used to monitor a three phase circuit using three CTs, 20mA represents 332,544 watts. The equation for three phase wattage is voltage times amperage, times the square root of three (1.732) times power factor. If this transducer is used to monitor a three phase load using two CTs, the transducer will produce 14.67mA, or the output will represent 2/3 of the actual watts being used under the same conditions: 480 volt primary voltage, 400 amps through 400:5 CTs and unity power factor.

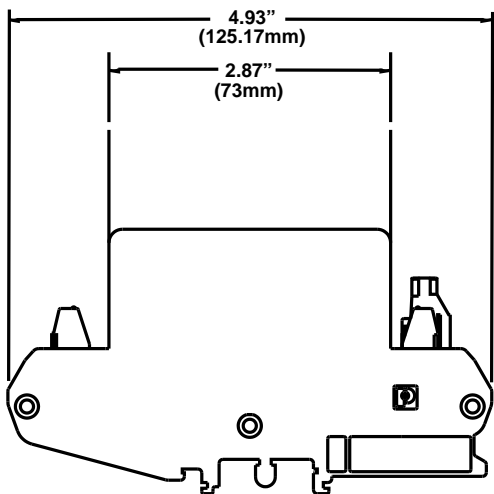
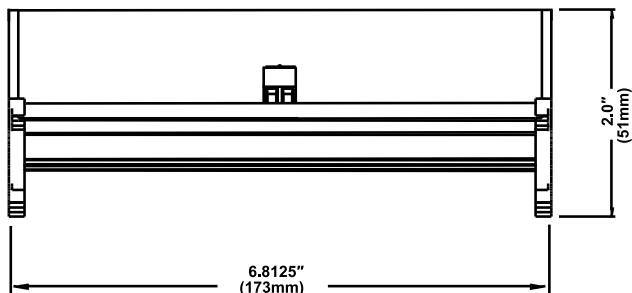


Free program expedites evaluation process. See page 1 for details.

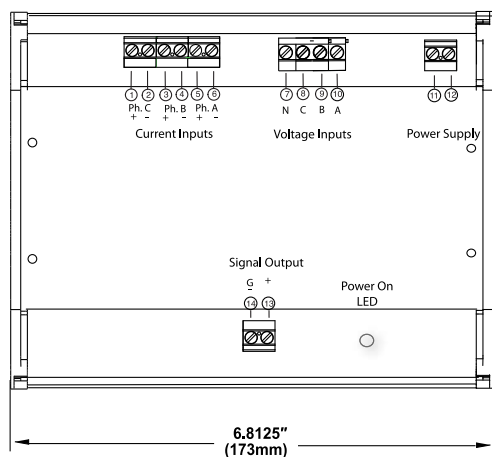


Dimensions

Case Side View



Case Top View



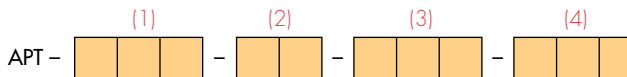
Note: Drawings are not to scale.

Specifications

Power Supply	24 VAC/DC, 120 VAC or 240 VAC
Output	<ul style="list-style-type: none"> • 4-20mA current • 0-5 or 0-10 VDC
Voltage Ranges	0- 600 VAC
Response Time	120 ms
Isolation Voltage	2200 VAC
Frequency Range	6-100Hz
Case	UL94 VO Flammability Rated
Environmental	-4 to 122°F (-20 to 50°C) 0-95% RH, non-condensing
Listings	Designed to Meet UL 508 Industrial Control Equipment (USA & Canada)

Ordering Information

Sample Model Number: APT-480-MV-120-420
AC power transducer, 480 VAC input, ProteCT current inputs, 120 VAC powered, 4-20 mA output, DIN rail mounting.



(1) Primary Voltage

120	120 VAC
240	240 VAC
480	480 VAC
600	600 VAC

(2) Current Input Type

MV	ProteCT Current Transformers, 333mVAC secondary
5A	5 amp Secondary Current Transformers

(3) Power Supply

24U	24 VAC/DC
120	120 VAC
240	240 VAC

(4) Output Type

420	4-20mA proportional to wattage (see calculation example under APT Output Values)
005	0-5 VDC
010	0-10 VDC

Contact:
Industrial Process Measurement, Inc.
3910 Park Avenue, Unit 7
Edison, NJ 08820
732-632-6400
support@instrumentation2000.com
<http://www.instrumentation2000.com>

